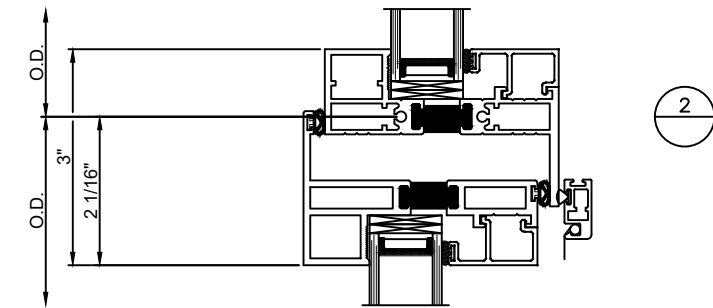
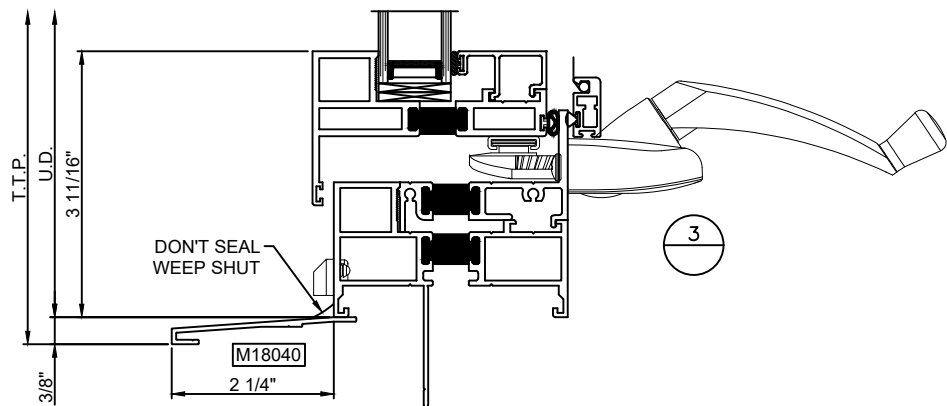


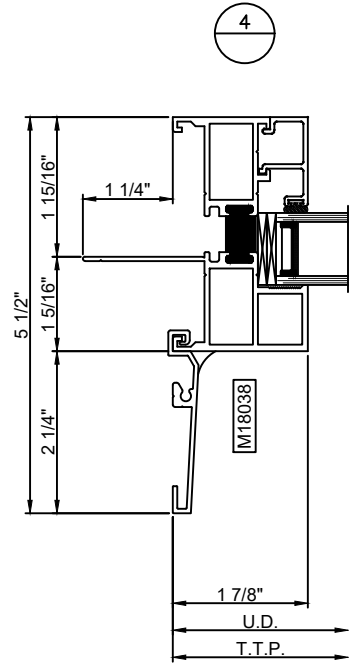
1



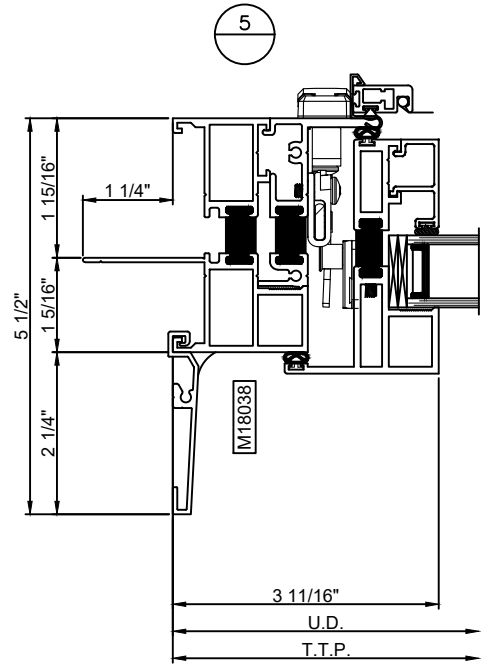
2



3



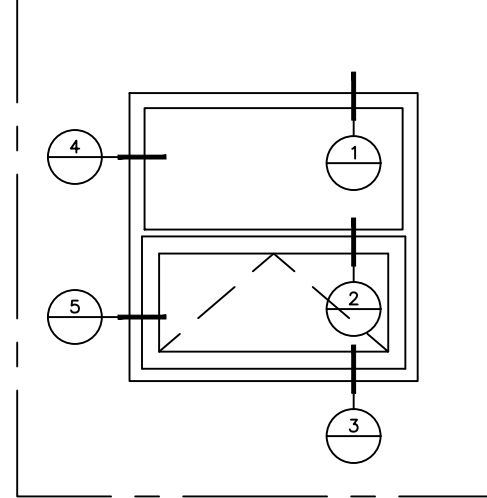
4



5

EXTERIOR

SERIES	M600
CONFIGURATION	FIXED OVER AWNING
INSTALLATION METHOD	NAIL FIN FACTORY APPLIED PANNING
<p>Quaker reserves the right to change any/all designs without notice. Due to periodic re-certification requirements, result shown may vary.          Installation methods shown are generic. No sealant shown on details.          Accessory part numbers are shown on the cut sections.          Contact Quaker if job specific details are required.          This Document contains confidential and proprietary information intended for the private use of Quaker.          2015 Quaker Window Products Co., Inc.          All rights reserved.</p>	



EXTERIOR

Project Name: **QUAKER DETAILS**

Description: **CUT DETAILS**

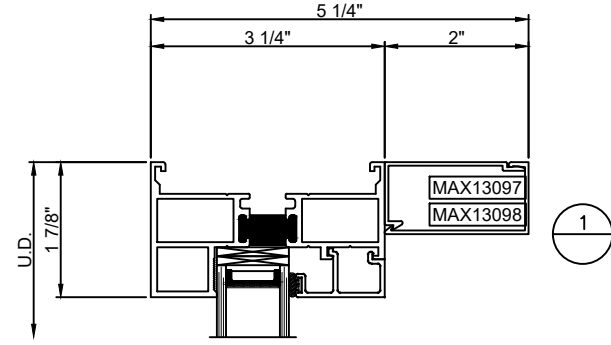
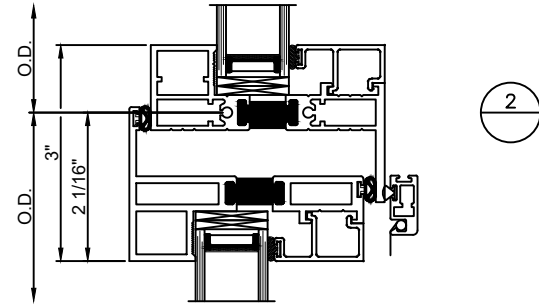
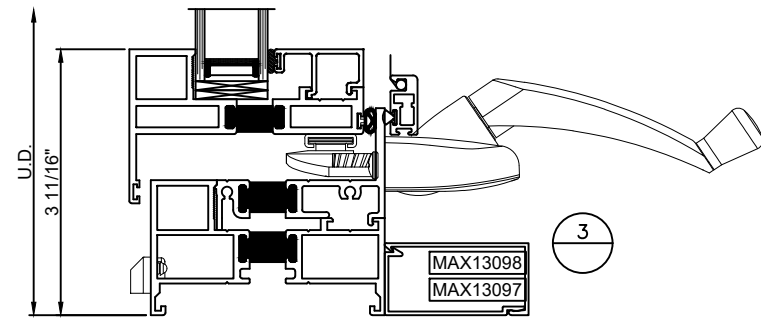
**QUAKER**  
COMMERCIAL

PHONE (573)-744-5211  
 FAX (573)-744-5586  
 COMMERCIAL  
 FAX (573)-744-5822  
 www.quakercommercialwindows.com

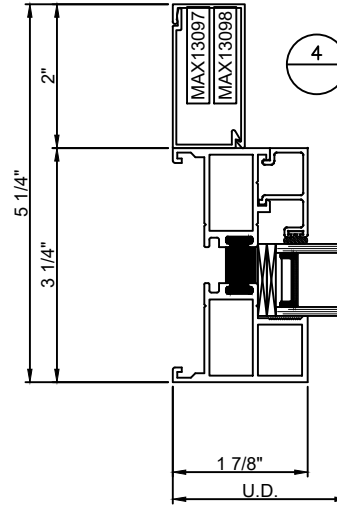
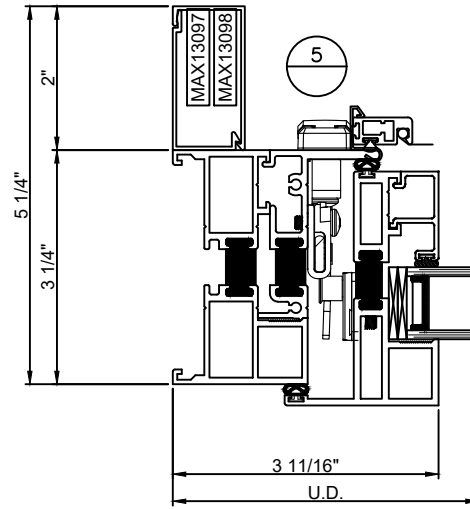
Scale: 3/8"=1"  
 Sheet #: C1  
 Drawn By: QWP  
 Checked By: -----

Drawing Created  
 3/3/22

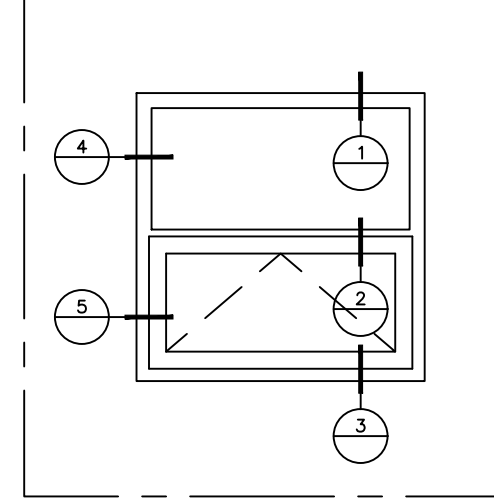
**EXTERIOR**



**EXTERIOR**

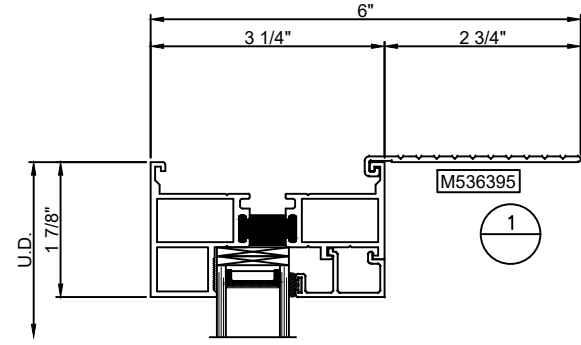
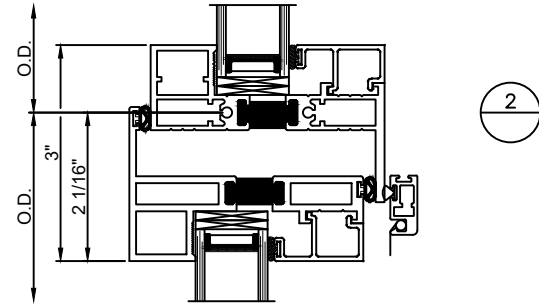
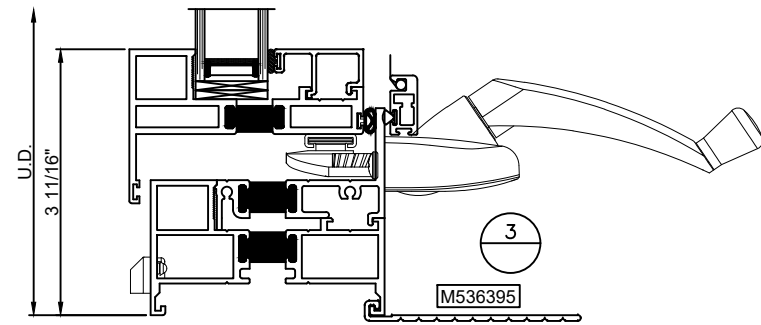


SERIES	M600
CONFIGURATION	FIXED OVER AWNING
INSTALLATION METHOD	INTERIOR SNAP TRIM
<p>Quaker reserves the right to change any/all designs without notice. Due to periodic re-certification requirements, result shown may vary.                      Installation methods shown are generic. No sealant shown on details.                      Accessory part numbers are shown on the cut sections.                      Contact Quaker if job specific details are required.                      This Document contains confidential and proprietary information intended for the private use of Quaker.                      2015 Quaker Window Products Co., Inc.                      All rights reserved.</p>	

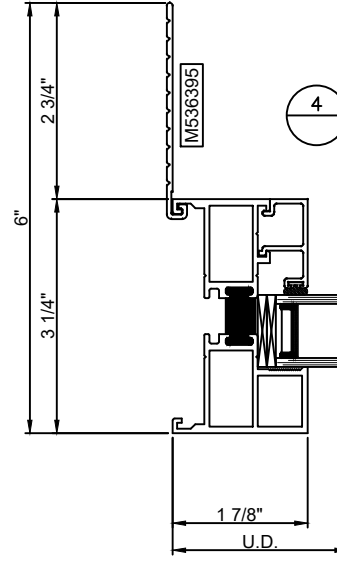
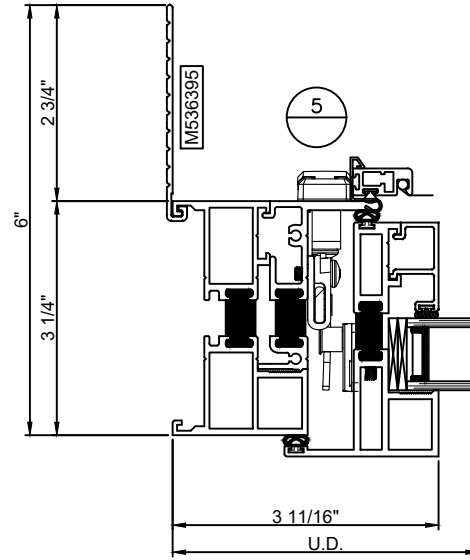


		Description: <b>CUT DETAILS</b>		Project Name: <b>QUAKER DETAILS</b>
		PHONE (573)-744-5211 FAX (573)-744-5586 COMMERCIAL FAX (573)-744-5822 www.quakercommercialwindows.com		----- -----
Drawn By: <b>QWP</b>	Scale: <b>3/8"=1"</b>	504 Highway 63 South Freeburg, MO 65035		Sheet #: <b>C2</b>
Checked By: -----	Sheet #: -----	Drawing Created 3/3/22		----- -----

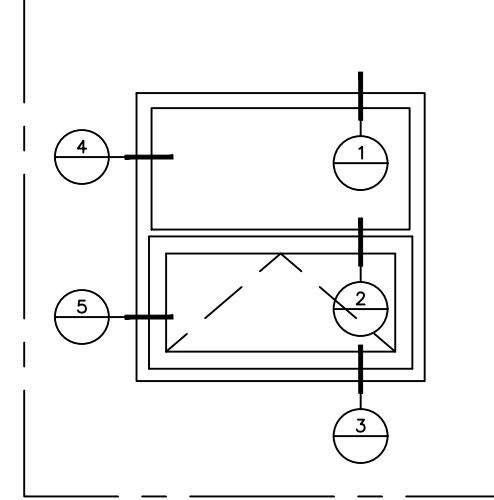
**EXTERIOR**



**EXTERIOR**

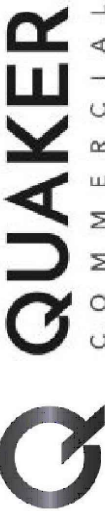


SERIES	M600
CONFIGURATION	FIXED OVER AWNING
INSTALLATION METHOD	INTERIOR ANCHOR STRAP
<p>Quaker reserves the right to change any/all designs without notice. Due to periodic re-certification requirements, result shown may vary.          Installation methods shown are generic. No sealant shown on details.          Accessory part numbers are shown on the cut sections.          Contact Quaker if job specific details are required.          This Document contains confidential and proprietary information intended for the private use of Quaker.          2015 Quaker Window Products Co., Inc.          All rights reserved.</p>	



Description: **CUT DETAILS**

Project Name: **QUAKER DETAILS**



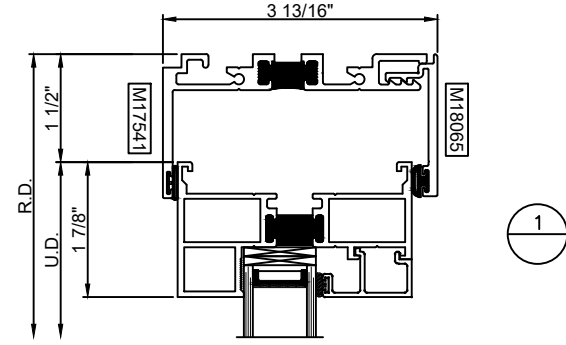
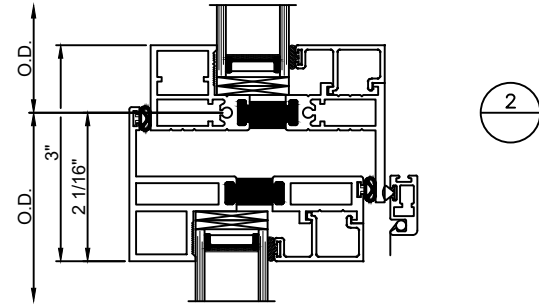
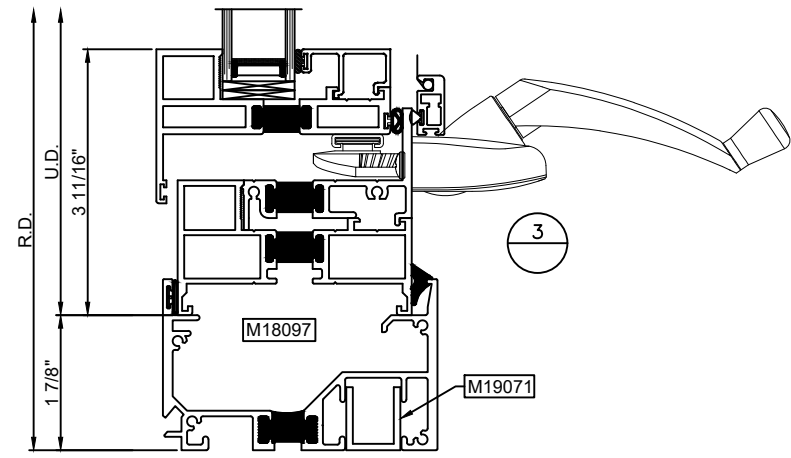
Drawn By: **QWP**  
 Checked By: **----**  
 Scale: **3/8"=1"**  
 Sheet #: **C3**

PHONE (573)-744-5211  
 FAX (573)-744-5586  
 COMMERCIAL  
 FAX (573)-744-5822  
 www.quakercommercialwindows.com

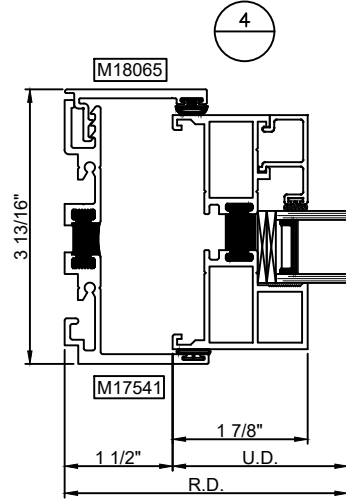
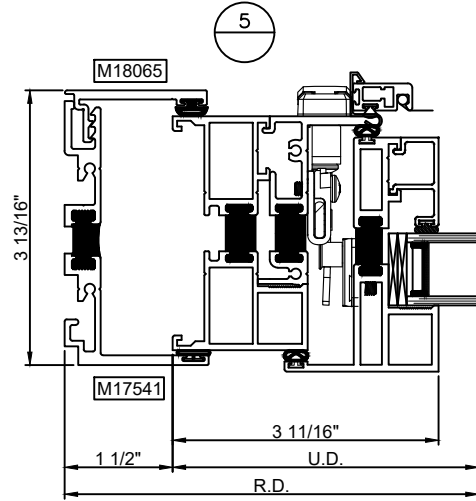
504 Highway 63 South  
 Freeburg, MO 65035

Drawing Created  
 3/3/22

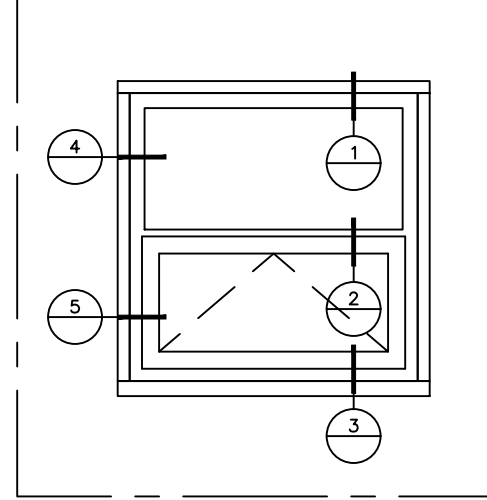
**EXTERIOR**



**EXTERIOR**

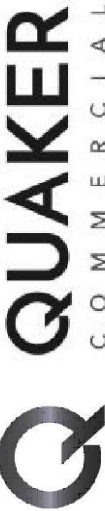


SERIES	M600
CONFIGURATION	FIXED OVER AWNING
INSTALLATION METHOD	RECEPTOR AND SUBSILL
<p>Quaker reserves the right to change any/all designs without notice. Due to periodic re-certification requirements, result shown may vary.          Installation methods shown are generic. No sealant shown on details.          Accessory part numbers are shown on the cut sections.          Contact Quaker if job specific details are required.          This Document contains confidential and proprietary information intended for the private use of Quaker.          2015 Quaker Window Products Co., Inc.          All rights reserved.</p>	



Description: **CUT DETAILS**

Project Name: **QUAKER DETAILS**



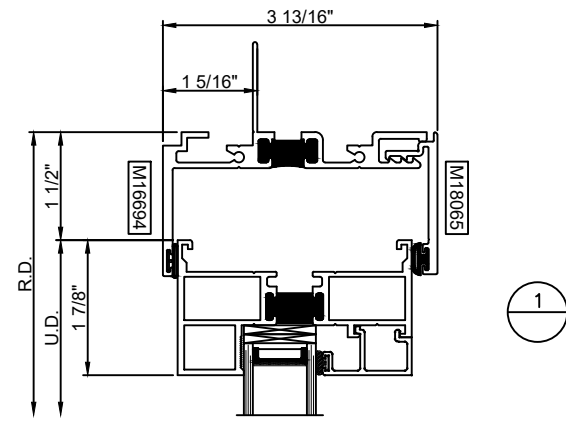
Drawn By: **QWP**  
 Checked By: **----**  
 Scale: **3/8"=1"**  
 Sheet #: **C4**

PHONE (573)-744-5211  
 FAX (573)-744-5586  
 COMMERCIAL  
 FAX (573)-744-5822  
 www.quakercommercialwindows.com

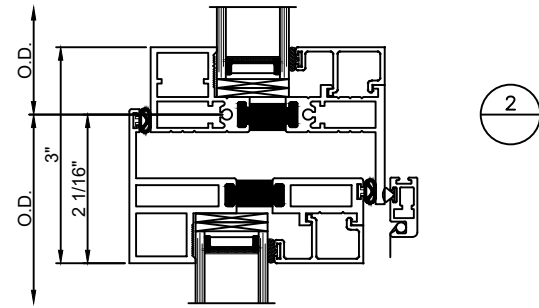
504 Highway 63 South  
 Freeburg, MO 65035

Drawing Created  
 3/3/22

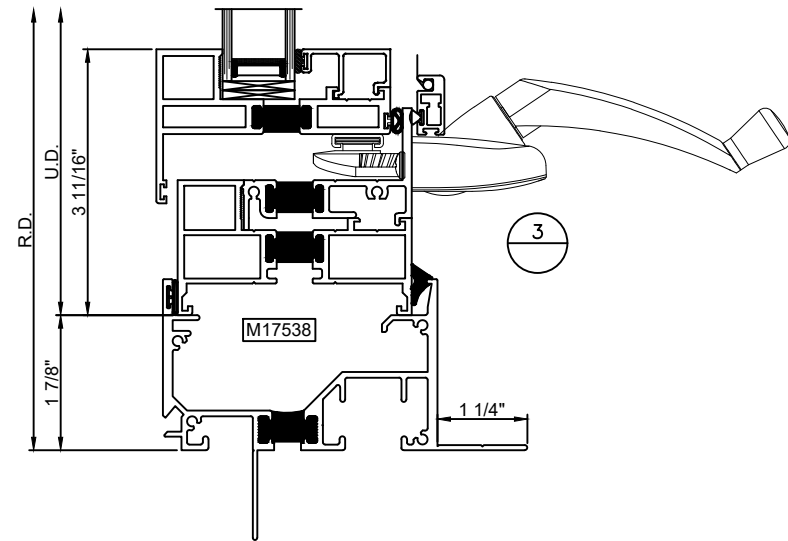
**EXTERIOR**



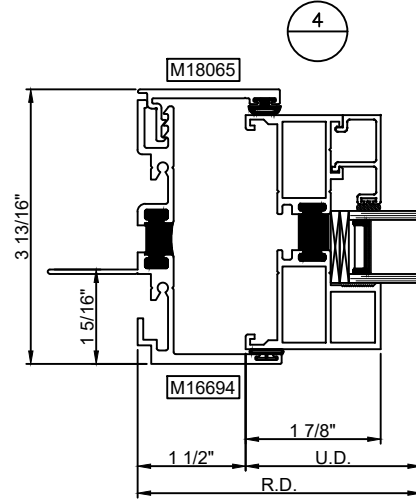
1



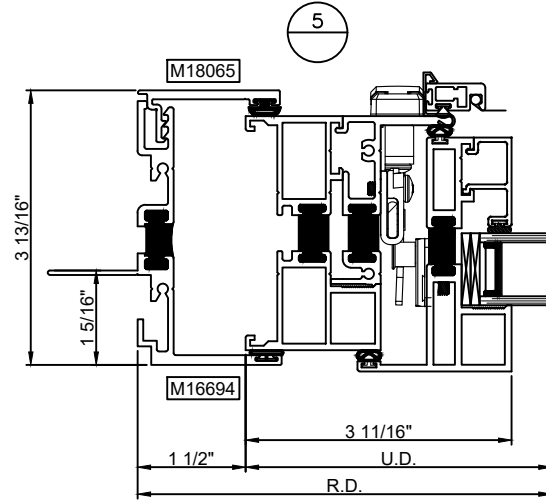
2



3



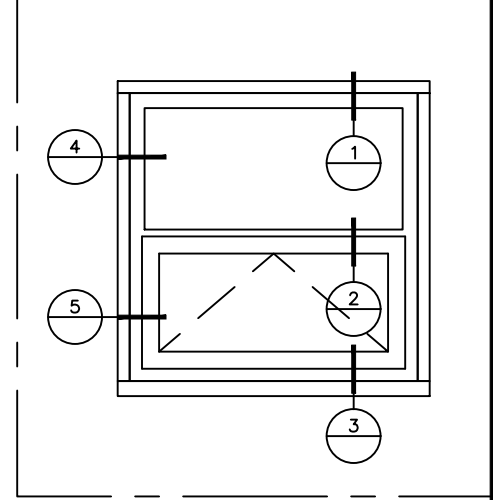
4



5

**EXTERIOR**

SERIES	M600
CONFIGURATION	FIXED OVER AWNING
INSTALLATION METHOD	RECEPTOR AND SUBSILL W/ FLASHING FLANGE
<p>Quaker reserves the right to change any/all designs without notice. Due to periodic re-certification requirements, result shown may vary.            Installation methods shown are generic. No sealant shown on details.            Accessory part numbers are shown on the cut sections.            Contact Quaker if job specific details are required.            This Document contains confidential and proprietary information intended for the private use of Quaker.            2015 Quaker Window Products Co., Inc.            All rights reserved.</p>	



Project Name: **QUAKER DETAILS**

Description: **CUT DETAILS**

**QUAKER**  
C O M M E R C I A L

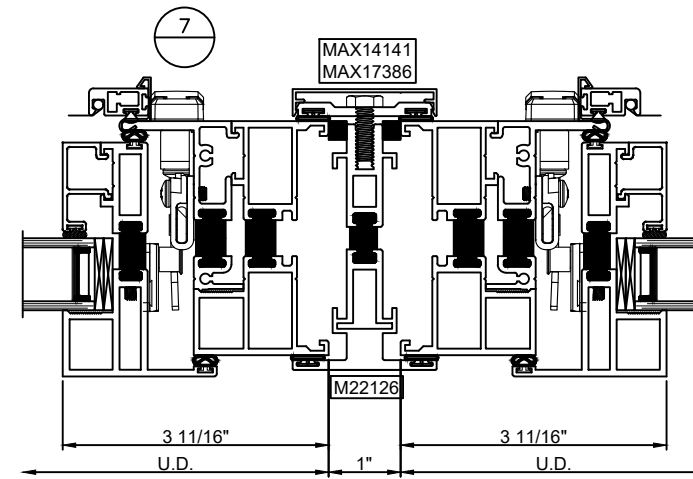
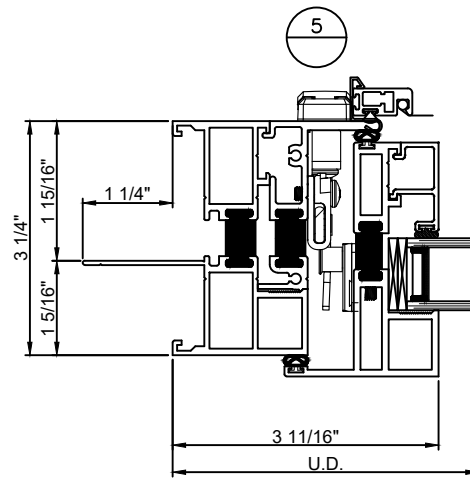
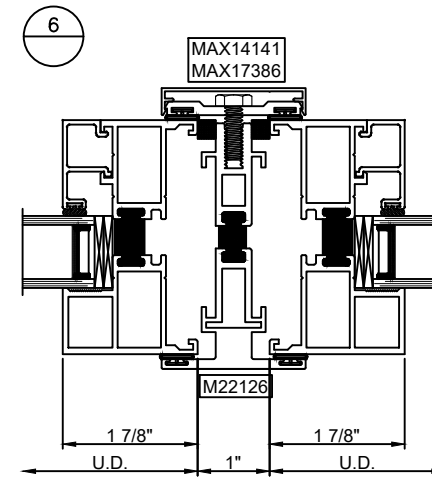
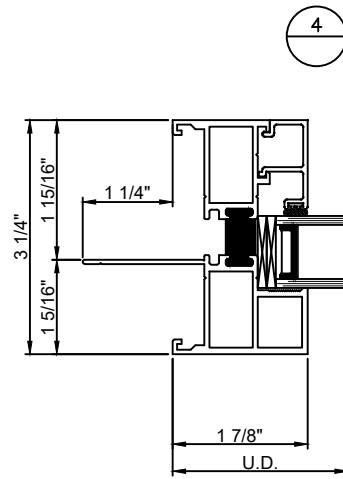
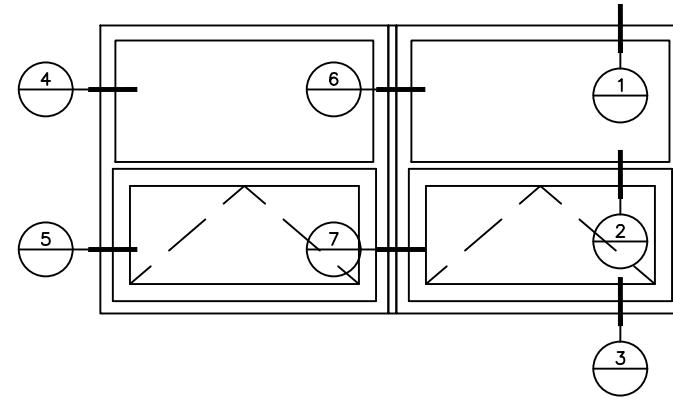
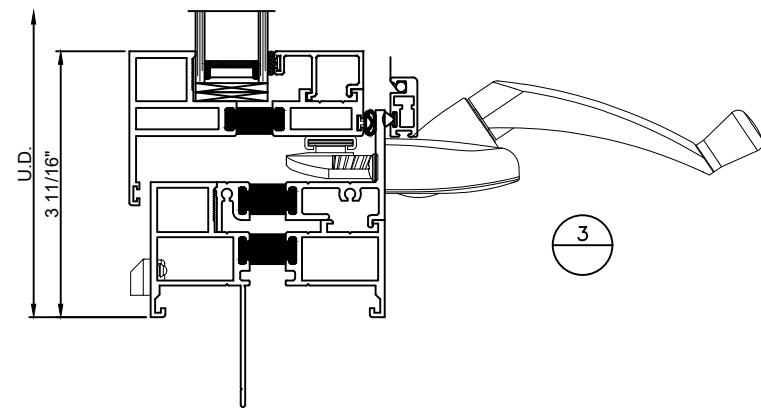
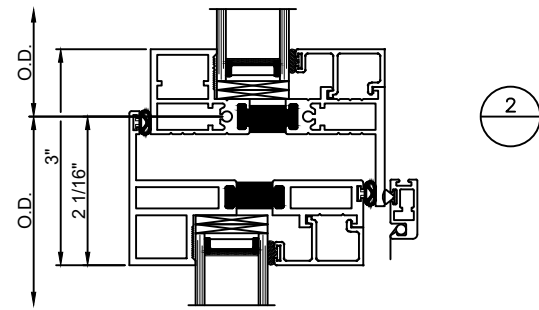
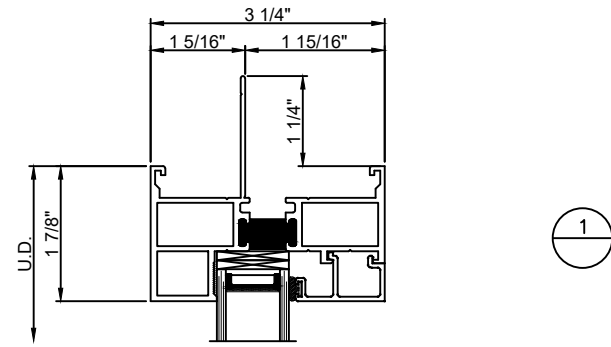
Drawn By: **QWP**  
Checked By: **----**  
Scale: **3/8"=1"**  
Sheet #: **C5**

PHONE (573)-744-5211  
FAX (573)-744-5586  
COMMERCIAL  
FAX (573)-744-5822  
www.quakercommercialwindows.com

504 Highway 63 South  
Freeburg, MO 65035

Drawing Created  
3/3/22

**EXTERIOR**



**EXTERIOR**

SERIES	M600
CONFIGURATION	FIXED OVER AWNING
INSTALLATION METHOD	NAIL FIN VERTICAL T-MULL
<p>Quaker reserves the right to change any/all designs without notice. Due to periodic re-certification requirements, result shown may vary.          Installation methods shown are generic. No sealant shown on details.          Accessory part numbers are shown on the cut sections.          Contact Quaker if job specific details are required.          This Document contains confidential and proprietary information intended for the private use of Quaker.          2015 Quaker Window Products Co., Inc.          All rights reserved.</p>	

Project Name: **QUAKER DETAILS**

Description: **CUT DETAILS**

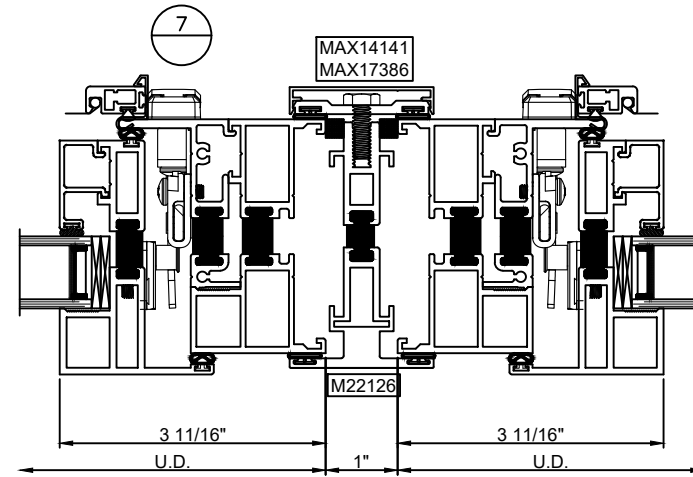
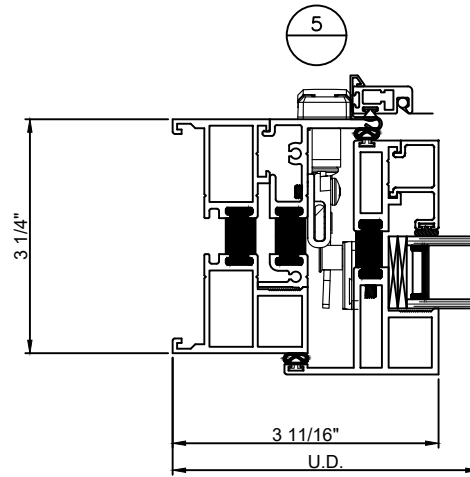
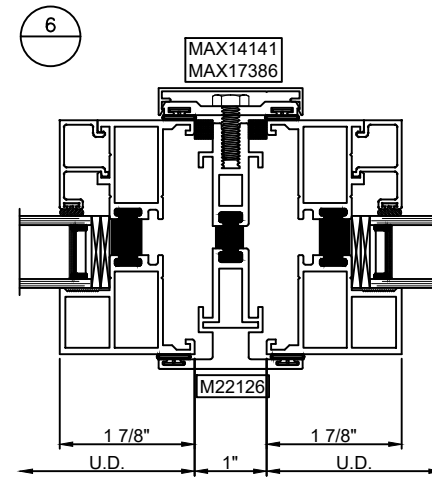
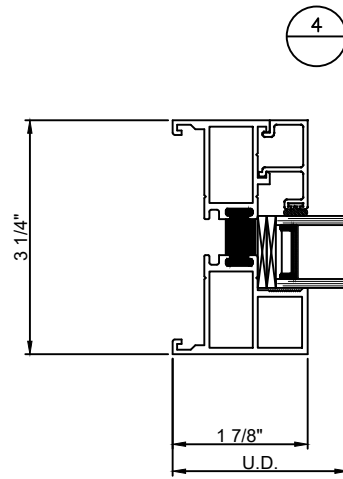
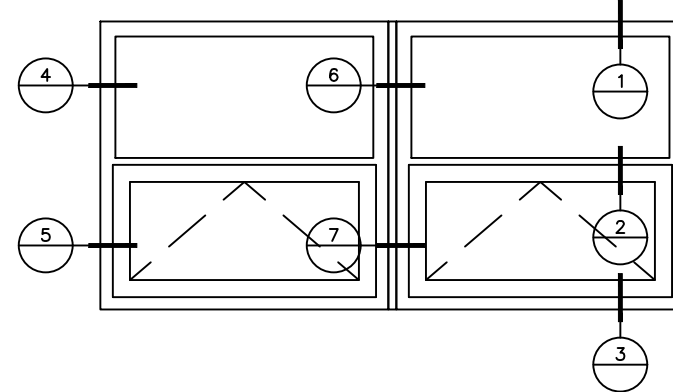
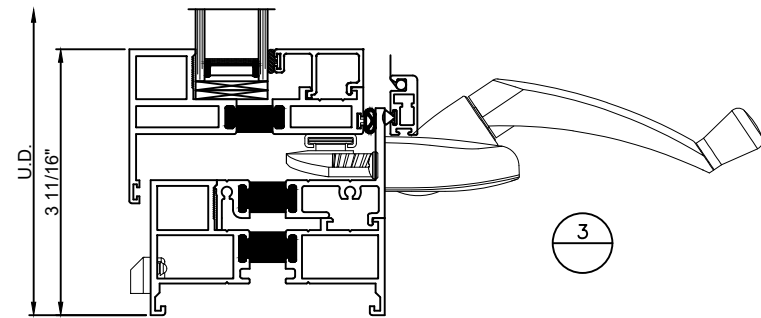
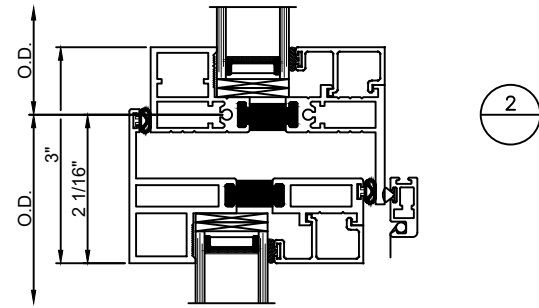
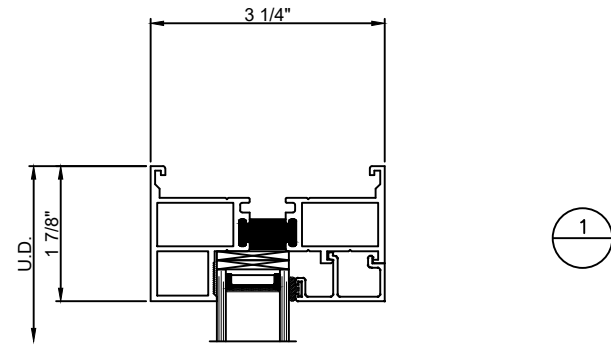
PHONE (573)-744-5211  
 FAX (573)-744-5586  
 COMMERCIAL  
 FAX (573)-744-5822  
 www.quakercommercialwindows.com

**QUAKER**  
 C O M M E R C I A L

Drawn By: QWP  
 Checked By: ---  
 Scale: 3/8"=1"  
 Sheet #: C6

Drawing Created  
 3/3/22

**EXTERIOR**



**EXTERIOR**

SERIES	M600
CONFIGURATION	FIXED OVER AWNING
INSTALLATION METHOD	NON NAIL FIN VERTICAL T-MULL
<p>Quaker reserves the right to change any/all designs without notice. Due to periodic re-certification requirements, result shown may vary.          Installation methods shown are generic. No sealant shown on details.          Accessory part numbers are shown on the cut sections.          Contact Quaker if job specific details are required.          This Document contains confidential and proprietary information intended for the private use of Quaker.          2015 Quaker Window Products Co., Inc.          All rights reserved.</p>	

Project Name: **QUAKER DETAILS**

Description: **CUT DETAILS**

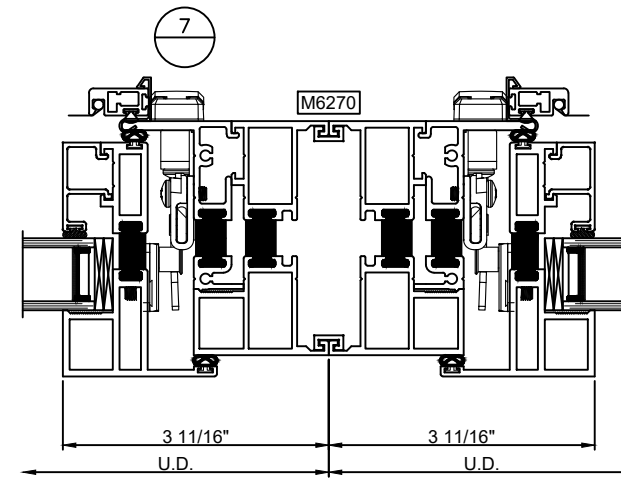
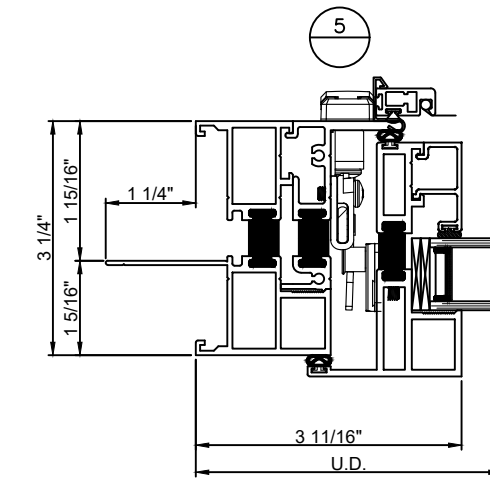
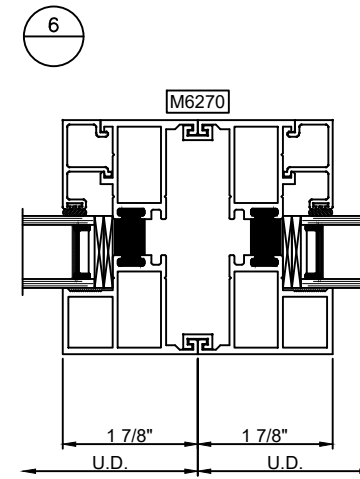
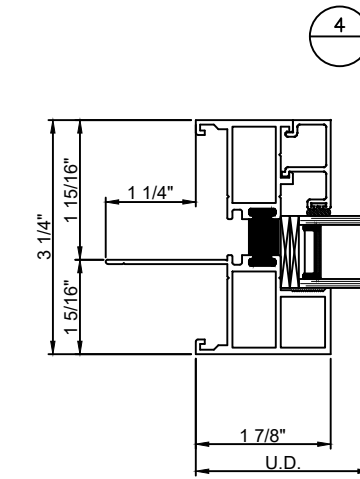
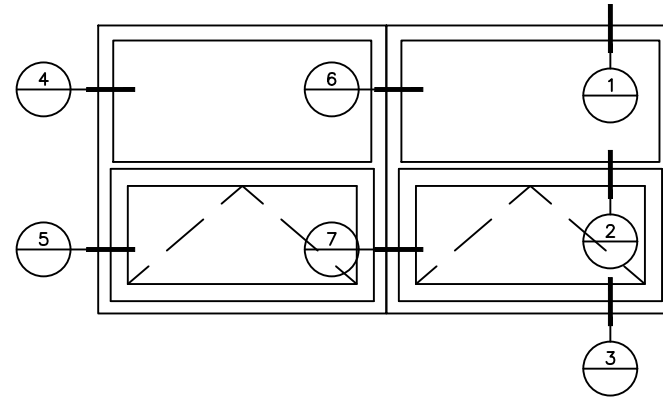
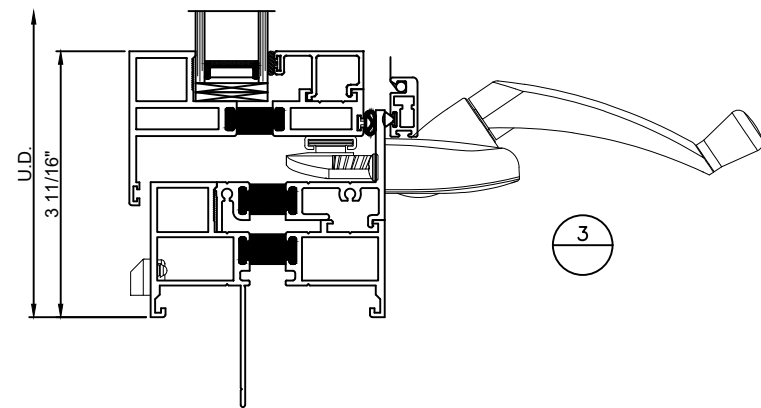
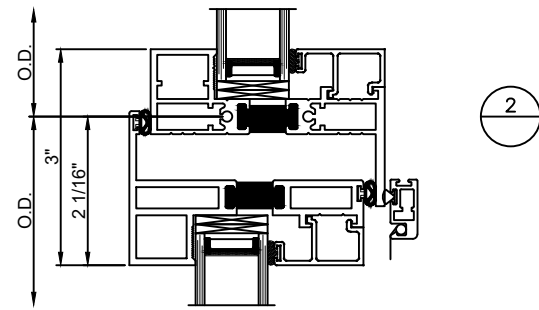
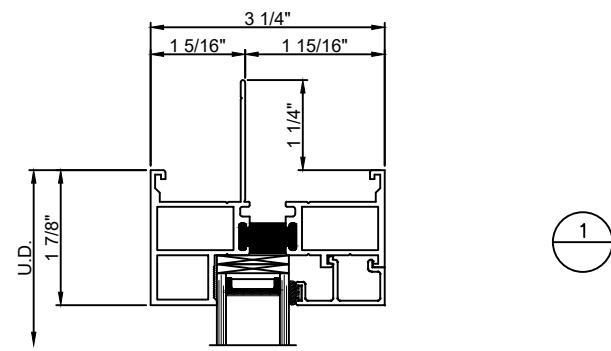
**QUAKER**  
C O M M E R C I A L

PHONE (573)-744-5211  
 FAX (573)-744-5586  
 COMMERCIAL  
 FAX (573)-744-5822  
 www.quakercommercialwindows.com

Scale: 3/8"=1"  
 Sheet #: C7  
 Drawn By: QWP  
 Checked By: -----

Drawing Created  
 3/3/22

**EXTERIOR**



**EXTERIOR**

SERIES	M600
CONFIGURATION	FIXED OVER AWNING
INSTALLATION METHOD	NAIL FIN VERTICAL C-MULL
<p>Quaker reserves the right to change any/all designs without notice. Due to periodic re-certification requirements, result shown may vary.          Installation methods shown are generic. No sealant shown on details.          Accessory part numbers are shown on the cut sections.          Contact Quaker if job specific details are required.          This Document contains confidential and proprietary information intended for the private use of Quaker.          2015 Quaker Window Products Co., Inc.          All rights reserved.</p>	

Project Name: **QUAKER DETAILS**

Description: **CUT DETAILS**

PHONE (573)-744-5211  
 FAX (573)-744-5586  
 COMMERCIAL  
 FAX (573)-744-5822  
 www.quakercommercialwindows.com

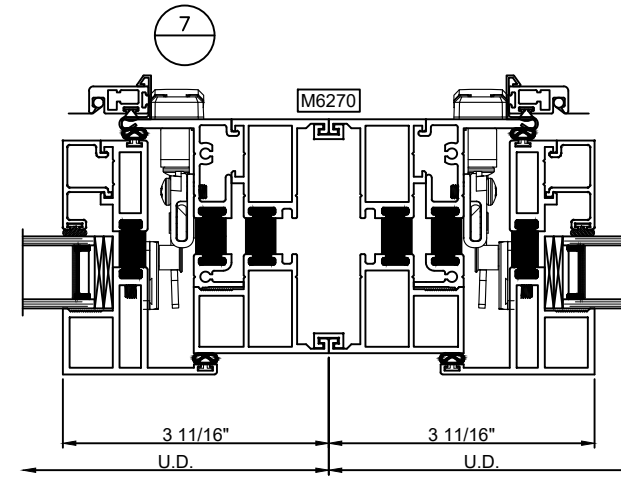
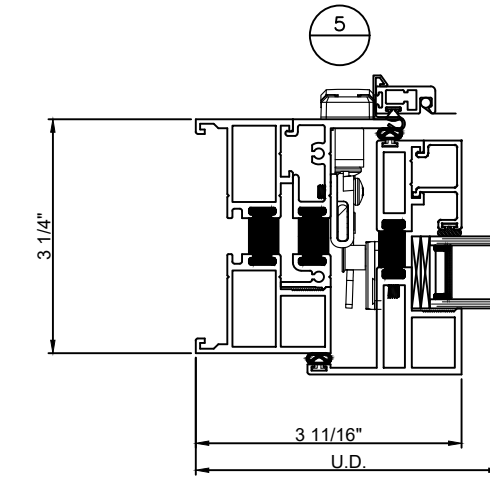
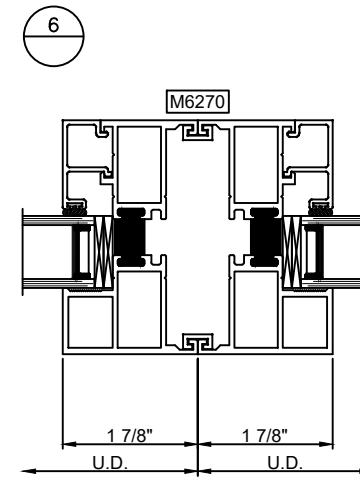
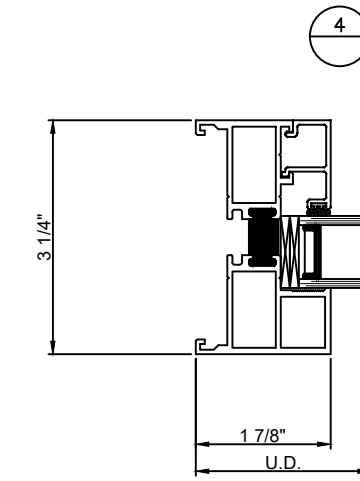
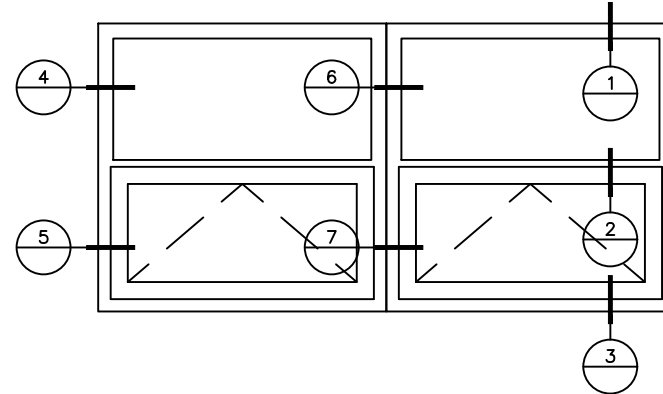
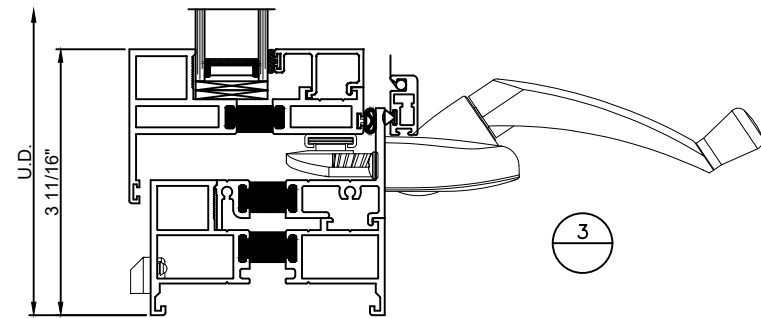
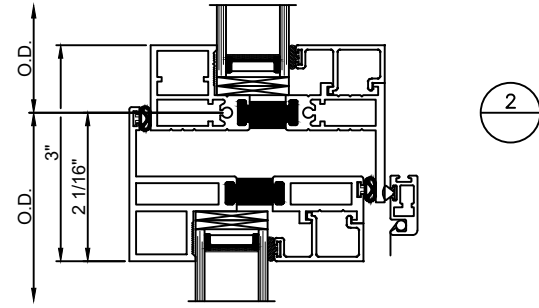
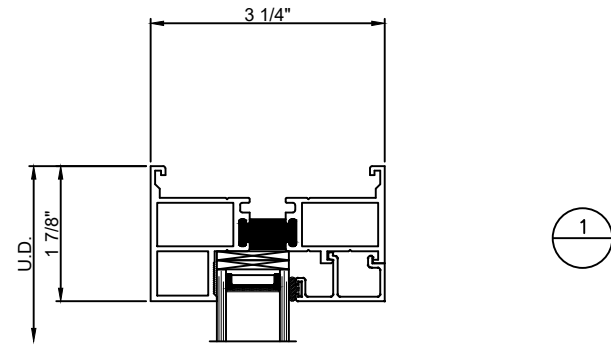
**QUAKER**  
 COMMERCIAL

Scale: 3/8"=1"  
 Sheet #: C8  
 Drawn By: QWP  
 Checked By: -----

Drawing Created  
 3/3/22



**EXTERIOR**



**EXTERIOR**

SERIES	M600
CONFIGURATION	FIXED OVER AWNING
INSTALLATION METHOD	NON NAIL FIN VERTICAL C-MULL
<p>Quaker reserves the right to change any/all designs without notice. Due to periodic re-certification requirements, result shown may vary.            Installation methods shown are generic. No sealant shown on details.            Accessory part numbers are shown on the cut sections.            Contact Quaker if job specific details are required.            This Document contains confidential and proprietary information intended for the private use of Quaker.            2015 Quaker Window Products Co., Inc.            All rights reserved.</p>	

Project Name: **QUAKER DETAILS**

Description: **CUT DETAILS**

PHONE (573)-744-5211  
 FAX (573)-744-5586  
 COMMERCIAL  
 FAX (573)-744-5822  
 www.quakercommercialwindows.com

**QUAKER**  
 C O M M E R C I A L

Scale: 3/8"=1"  
 Sheet #: C9  
 Drawn By: QWP  
 Checked By: -----

Drawing Created  
 3/3/22